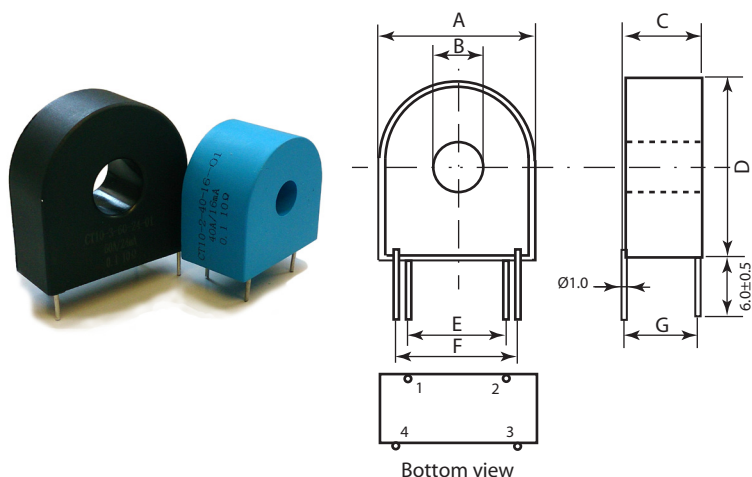


CT10

current transformer

DURAKOOL



- low profile for PCB mounting
- burn resistant PBT case
- Cost effective
- RoHS Compliant

Electrical parameters

Dielectric strength	4000Vac 1mA 60s
Insulation resistance	≥ 100MΩ 500Vdc
Working frequency	50-400Hz
Ambient temperature	-25 to 75°C

Case Material

PBT

Ordering Codes / Current specifications

CT10-1-5-2.0-01	Primary: 5A ; Secondary: 2mA
CT10-1-5-2.5-01	Primary: 5A ; Secondary: 2.5mA
CT10-1-10-4.0-01	Primary: 10A ; Secondary: 4mA
CT10-2-20-8.0-01	Primary: 20A ; Secondary: 8mA
CT10-2-30-15-01	Primary: 30A ; Secondary: 15mA
CT10-2-40-16-01	Primary: 40A ; Secondary: 16mA
CT10-3-50-20-01	Primary: 50A ; Secondary: 20mA
CT10-3-60-24-01	Primary: 60A ; Secondary: 24mA
CT10-3-100-50-01	Primary: 100A ; Secondary: 50mA
CT10-4-150-75-01	Primary: 150A ; Secondary: 75mA
CT10-4-200-100-01	Primary: 200A ; Secondary: 100mA

Dimensions

	CT10-1	CT10-2	CT10-3	CT10-4
A	24	30	37.85	Contact
B	6.8	8.2	13	factory
C	11	18	15.5	for
D	25	30.1	39	dimensional
E	15	15	25	information
F	19	18.5	33	
G	10	15	13	

Dimensions in mm (±0.05)

Pins 3 & 4 are not connected electrically and are provided for mounting purposes only.

Specifications are subject to change without notice. E&OE.

DURAKOOL